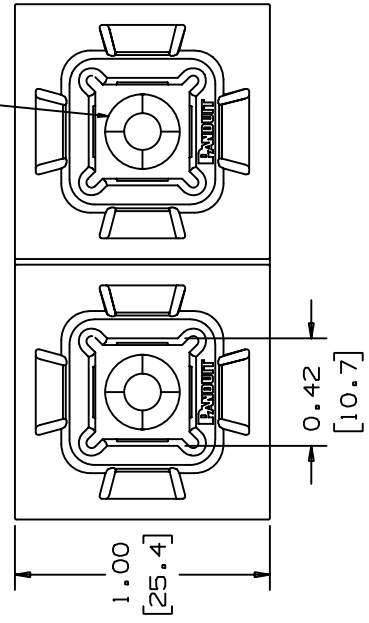
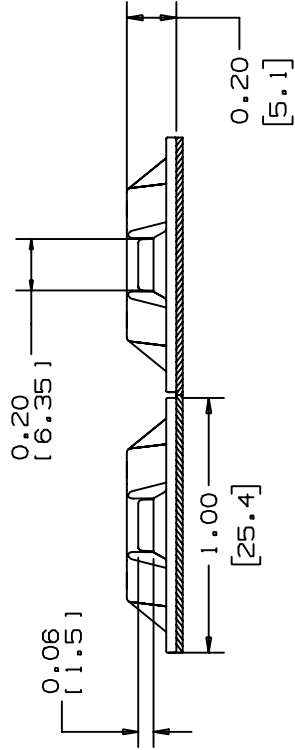


THIS COPY IS PROVIDED ON A RESTRICTED BASIS AND IS NOT TO BE USED IN ANY WAY DETRIMENTAL TO THE INTERESTS OF PANDUIT CORP.

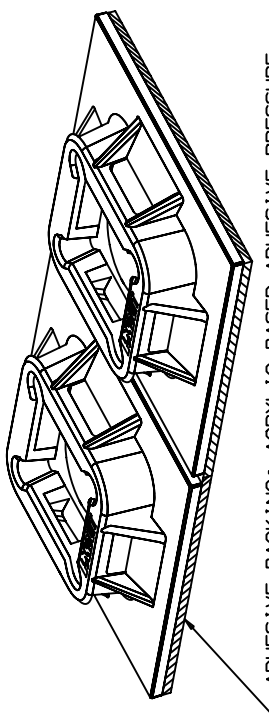
SEE NOTE 5



NO WARRANTY, EXPRESSED OR IMPLIED, IS MADE BY PANDUIT WITH RESPECT TO ADHESIVE BOND PERFORMANCE, AMONG OTHER THINGS, THE CONDITIONS UNDER WHICH THESE MOUNTS MAY BE APPLIED AND/OR THE SURFACE TO WHICH THEY MAY BE APPLIED ARE BEYOND PANDUIT'S CONTROL.



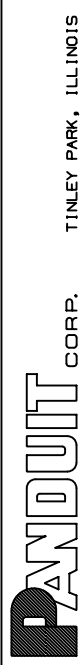
|                      |                                      |  |
|----------------------|--------------------------------------|--|
| PANDUIT PART NUMBER* | WEIGHT<br>lbs/100 pcs<br>(g)/100 pcs | USE WITH ANY OF THESE CABLE TIE CROSS-SECTIONS |
| ABM100-AT            | 0.26<br>(119)                        | M, I, S  |



ADHESIVE BACKING: ACRYLIC BASED ADHESIVE PRESSURE SENSITIVE FOAM TAPE 0.04 (1.0) THICK WITH A PROTECTIVE LINER. MOUNT IS DESIGNED TO SUPPORT 0.50 lbs (227g) MAX. WEIGHT ON A CLEAN DRY SMOOTH SURFACE.

- NOTES:
- SEE CURRENT PRICE SHEET FOR PART NUMBER SUFFIX DESIGNATION FOR PACKAGE SIZE AND COLOR.
  - THE '-AT' SUFFIX REPRESENTS ACRYLIC ADHESIVE.
  - MOUNT HAS A MAXIMUM CONTINUOUS OPERATING TEMPERATURE OF 180°F (82°C).
  - SUPPLIED IN STRIPS OF TWO.
  - HOLE FOR STANDARD S6 FLAT HEAD SCREW.

DIMENSIONS IN BRACKETS ARE METRIC [ mm ]  
 CAD FILENAME/LAYERS G00033BB\_DC-ABM100AT\_06



ABM100-AT  
FOUR-WAY MOUNT

UNLESS OTHERWISE SPECIFIED, DIMENSIONAL TOLERANCES ARE:  
 (.X) ±0.05 (1.3) (.XXX) ±0.010 (0.25)  
 (.XX) ±0.02 (0.5) ANGLES ±5°

UNLESS OTHERWISE SPECIFIED, ALL DIMENSIONS ARE GIVEN IN INCHES, THIRD ANGLE PROJECTION.

SCALE NONE

DRAWN BY MJK MAT'L: NYLON 6/6

DATE 12/09/92

CHK'D G00033BB

DWG NO. A

SIZE

|     |         |      |     |   |     |   |      |     |
|-----|---------|------|-----|---|-----|---|------|-----|
| REV | DATE    | BY   | CHK | DESCRIPTION   | ECN | R | CUST | SUP |
| 6   | 8-24-05 | TMSA |     | REMOVED PART NUMBER ABM25B<br>REVISED WINDOW DIMENSIONS | 6   |   |      |     |